



**sunlighten™**  
empowering wellness™



## Signature® III

Renew your body and spirit in this spacious Signature® sauna. Share a therapeutic experience with others or lie down and stretch out with extra interior space.

Signature® saunas are the most effective far infrared saunas on the market featuring Solocarbon® technology - the ONLY far infrared technology clinically shown to lower blood pressure, increase core temperature and aid in weight loss.

### SPECIFICATIONS

**Exterior**

62.4" W x 46.1" D x 77.5" H / 28" door width

**Interior**

57.3" W x 40.0" D x 70.1 H / 20" bench depth

**Weight**

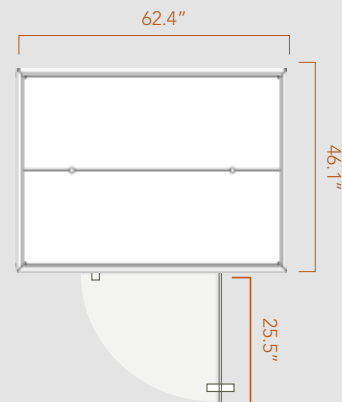
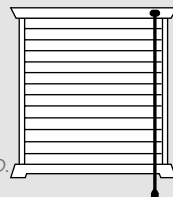
577 lbs.

**Electrical**

120V 2035w 20A



ELECTRICAL CORD LOCATION



DEDICATED 120V 20A CIRCUIT AND OUTLET REQUIRED.



- ▶ Solocarbon® far infrared technology proven 95% effective
  - ▶ Clinically-tested to lower blood pressure, increase core temperature and aid in weight loss
  - ▶ Environmentally approved for safety with ultra low EMF technology
- and much more...



## Signature III Panels

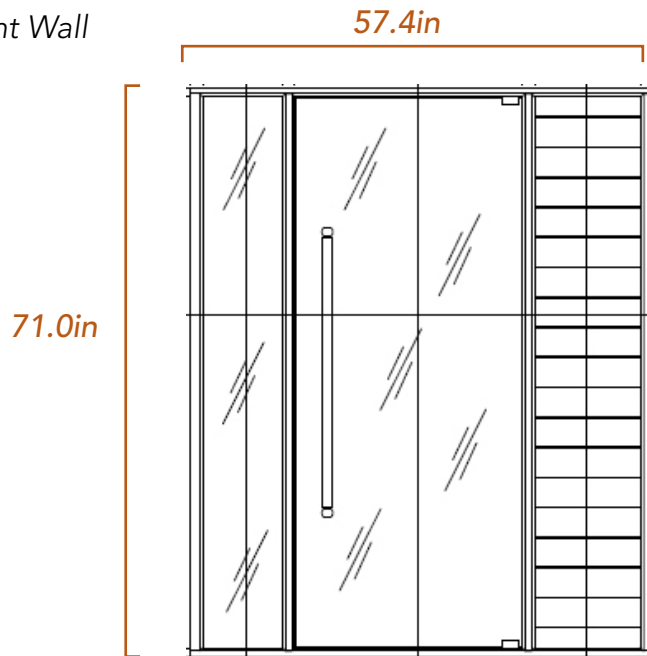
For seamless craftsmanship, each wall of your Signature sauna consists of one large wooden panel:

- Roof & Floor Panels: 62.4" x 46.1" x 3" thick (see diagram)
- Back & Front Panels: 57.4" x 71.0" x 3" thick (see diagram)
- Side Panels: 44.6" x 71" x 2.6" thick

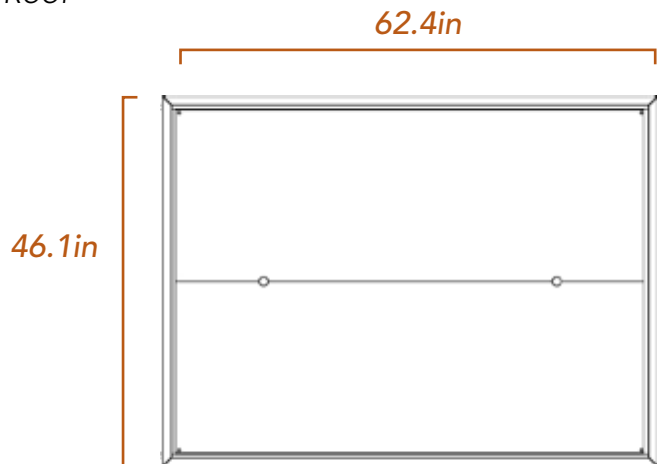
### Fitting into your home:

Because of the large panel size, it is important to ensure there is enough space through the doors and pathways to the sauna's location in your home. Standard doors in the US are 30" to 36" wide, and 6' to 8' tall. Please measure any doorway or hallway needed prior to purchase.

Front Wall



Roof



- ▶ Solocarbon® far infrared heaters proven 95% effective
- ▶ Ultra low EMF technology for ultimate safety
- ▶ Patented Magne-Seal™ assembly process for easy set up
- ▶ Beautiful craftsmanship with solid wood construction
- ▶ Available in hypoallergenic basswood & Canadian cedar
- ▶ Luxury benches 10% deeper than the industry standard
- ▶ Acoustic resonance therapy for deeper state of relaxation
- ▶ Blaupunkt Premium sound system and Chromotherapy option
- ▶ 36 hour programmable timer & continuous use options
- ▶ Convenient interior and exterior control panels
- ▶ Online wellness community & biofeedback tools track progress over time